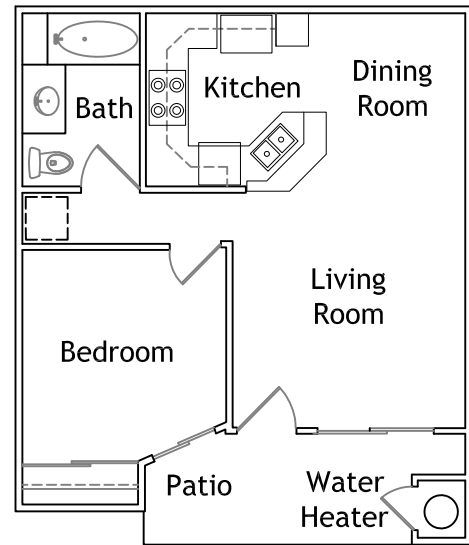
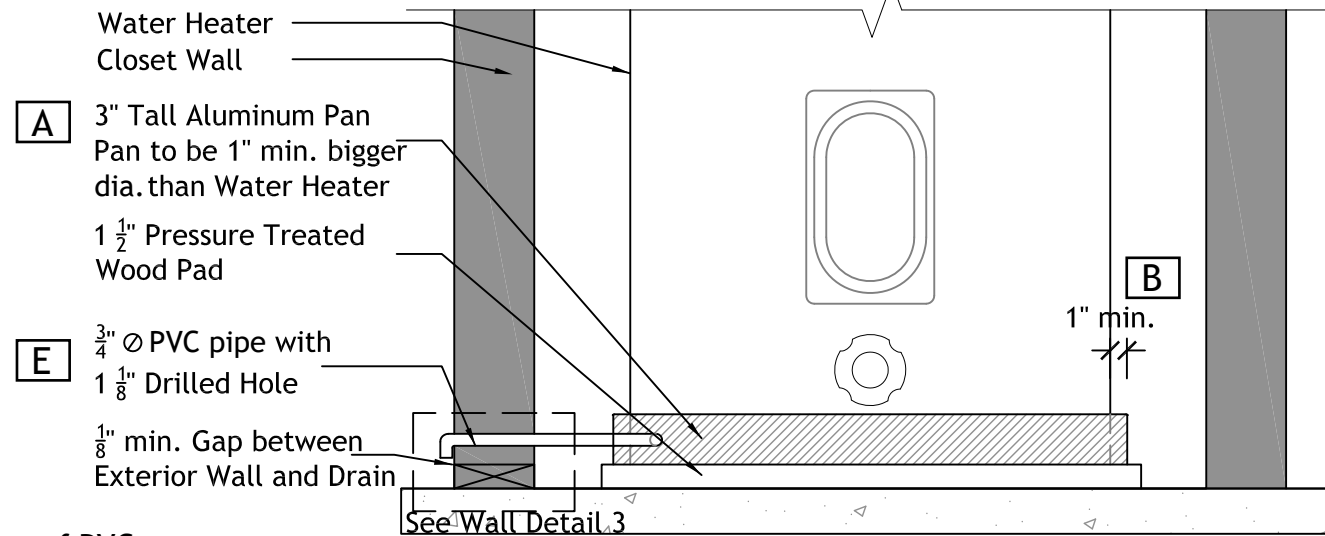


## Drawings

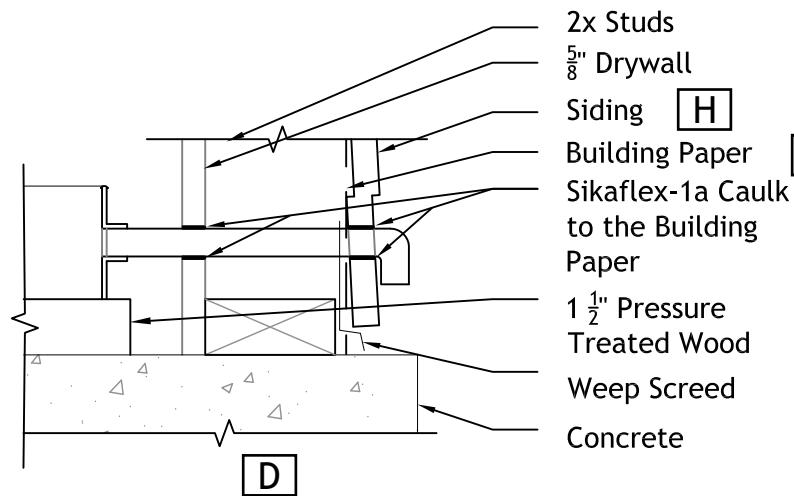


① Floor Plan

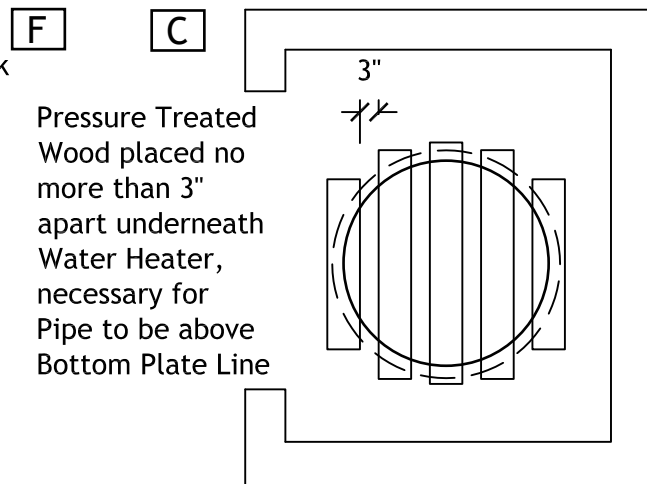
**G** Location of PVC pipe through wall



② Water Heater Front View



③ Siding Wall Detail



④ Water Heater Closet Plan - Wood Pad



⑤ Model Installation

## Notes

- A** Del Mar Villas HOA requires all water heaters to have an aluminum, 3" tall water heater pan.
  - B** The pan should be a minimum of 1" bigger diameter than the tank on all sides. The tank should be placed in the pan to allow excess water to flow through PVC pipe and out of water heater closet.
  - C** The tank and pan should be placed on 2x4 pressure treated wood. The wood should be placed no more than 3" apart to provide support for the tank and to avoid stains and moisture damage.
  - D** The purpose of the wood pad is to allow the penetrating pipe to be above the wood bottom plate and associated nails.
  - E** The PVC pipe will be a minimum 3/4" diameter pipe. The pipe will penetrate the wall through a 1 1/8" hole. Pipe should be capped with a 90 degree elbow with 1/8" minimum spacing between the elbow and the exterior wall.
  - F** Use Sikaflex-1a paintable caulk to fill 1 1/8" hole. Caulk should be placed all around the hole and all the way in to the building paper. This should happen on both the exterior side of the wall and the interior.
  - G** The exterior penetrations should be pointed away from building to keep water from pooling near the building.
  - H** Take care when drilling through wood siding to not split the piece of wood.
- Water heater tank should be strapped twice; one strap 12" from the top and another strap just above water heater controls at the bottom.